



A GENERAL LAYOUT
Scale 1/7,000

SITE BASIC INFORMATION	
Location	Walla Walla, NSW AUSTRALIA
Latitude	35° 44' 40.89" S
Longitude	146° 59' 8.47" E
Elevation	52 m a.s.l.

MAIN FEATURES	
AC Installed Power (@30° C):	403.20 MVA
AC Installed Power POI (@30° C):	300.00
DC Installed Power:	353.02 MWdc
Racking Structure:	Axone Duo
Blocks Type A (615W)	232 Strings
Blocks Type B (615W / 620W / 625W)	228 Strings
Blocks Type C (620W / 625W)	224 Strings
Cell Technology:	Astroergy Bifacial
Module Size:	156 Cells

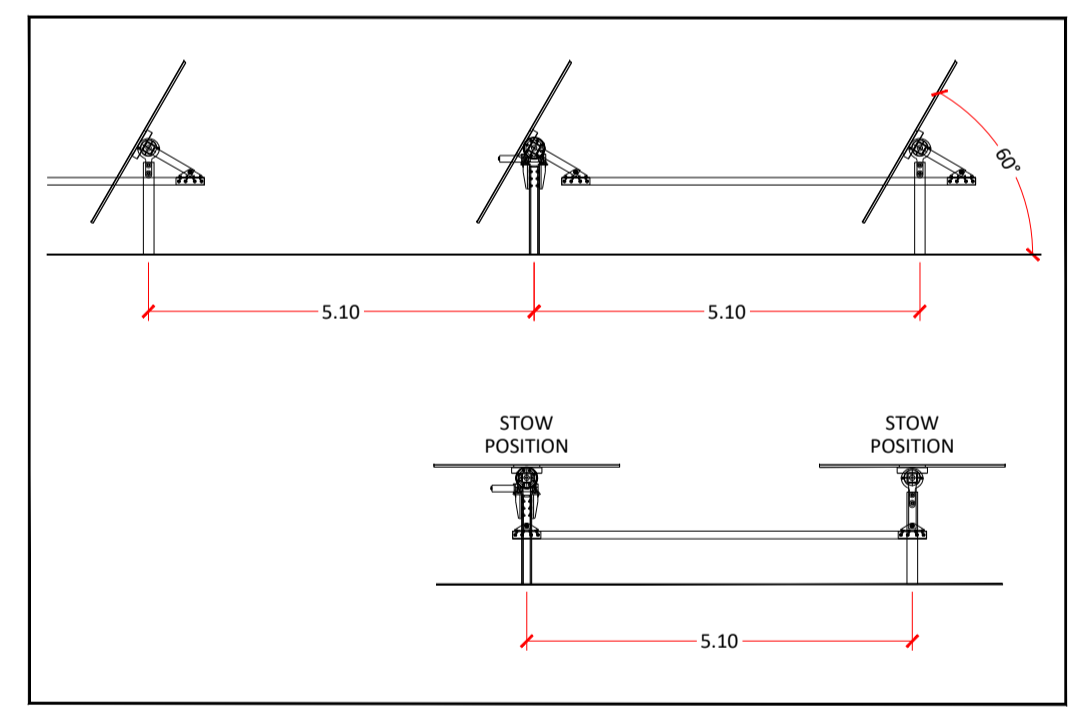
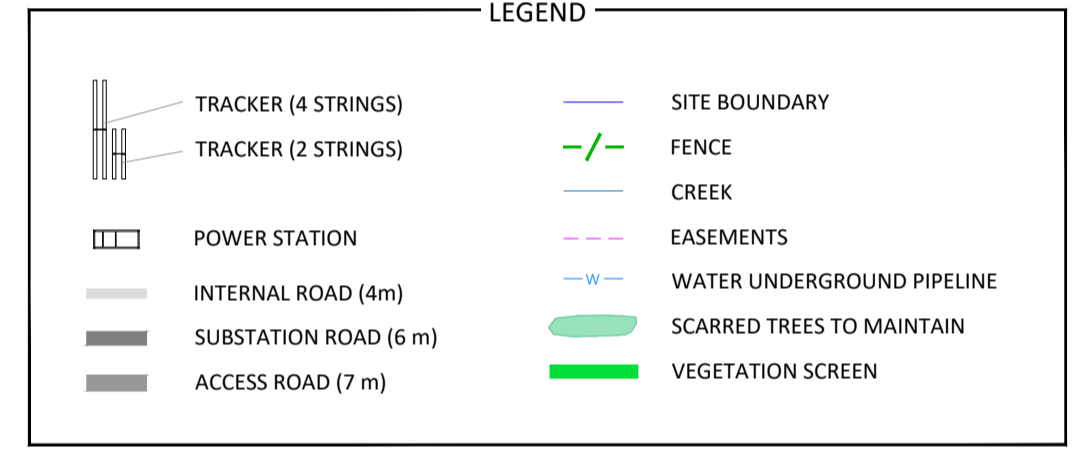
ELECTRICAL CONFIGURATION	
Modules per string	26 modules
Peak Power Module:	615/620/625 Wdc
Max. Voltage System:	1,500 V
Peak Power per Block T.A.:	3,710 MWdc
Peak Power per Block T.B.:	3,646 / 3,675 / 3,705 MWdc
Peak Power per Block T.C.:	3,611 / 3,640 MWdc
Total quantity of strings:	21,900 strings
Total Peak Power:	353.02 MWdc

PV MODULE	
Peak Power:	615 Wp
	620 Wp
	625 Wp
Quantity:	615Wp 113,776 modules
	620Wp 343,720 modules
	625Wp 111,904 modules
Total modules:	569,400 modules

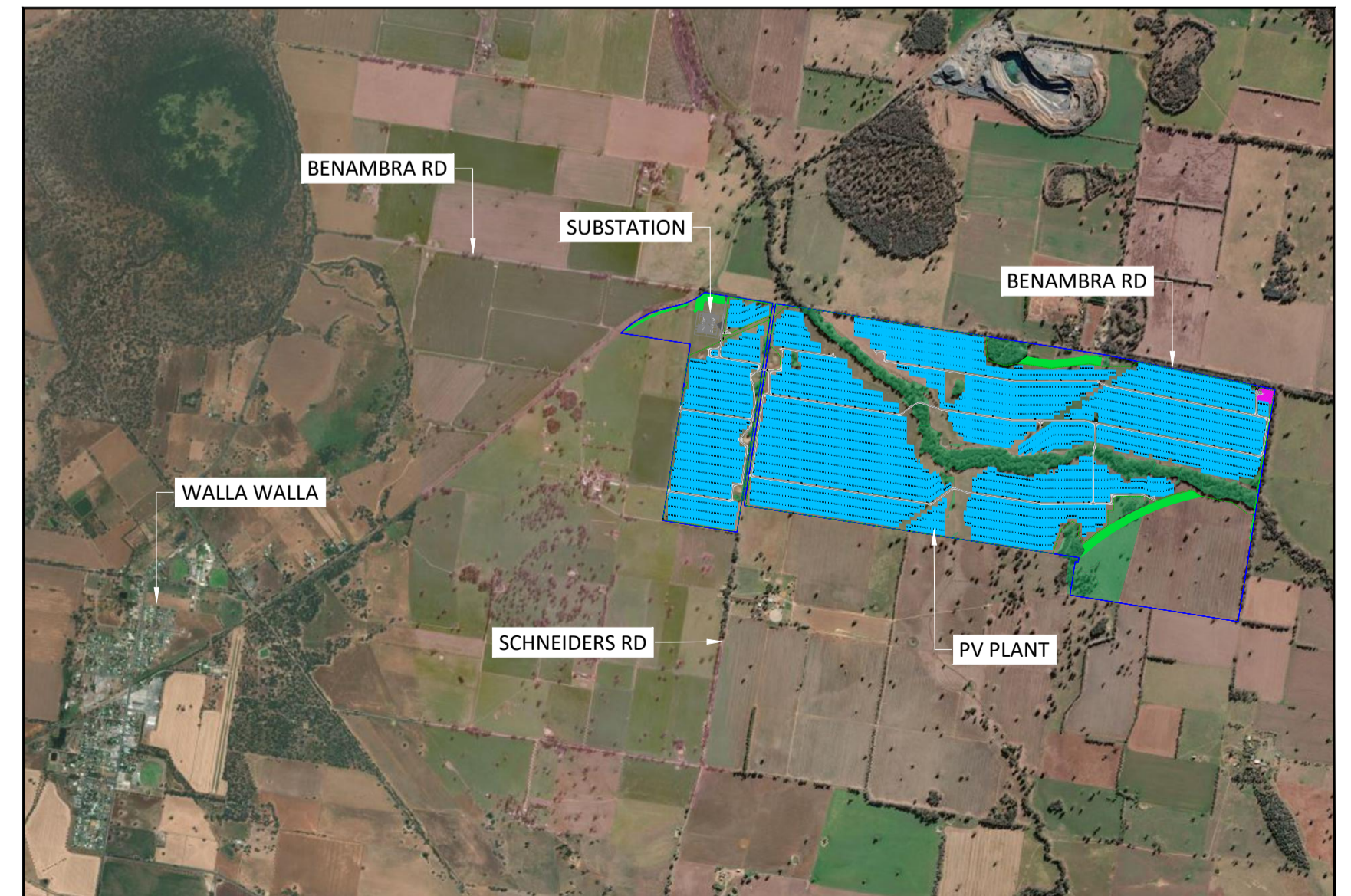
PV INVERTER	
Nominal power @40°C:	4,200 kVA
Quantity:	96 ud

TRANSFORMER	
Nominal power:	4,200 kVA
Quantity:	96 ud

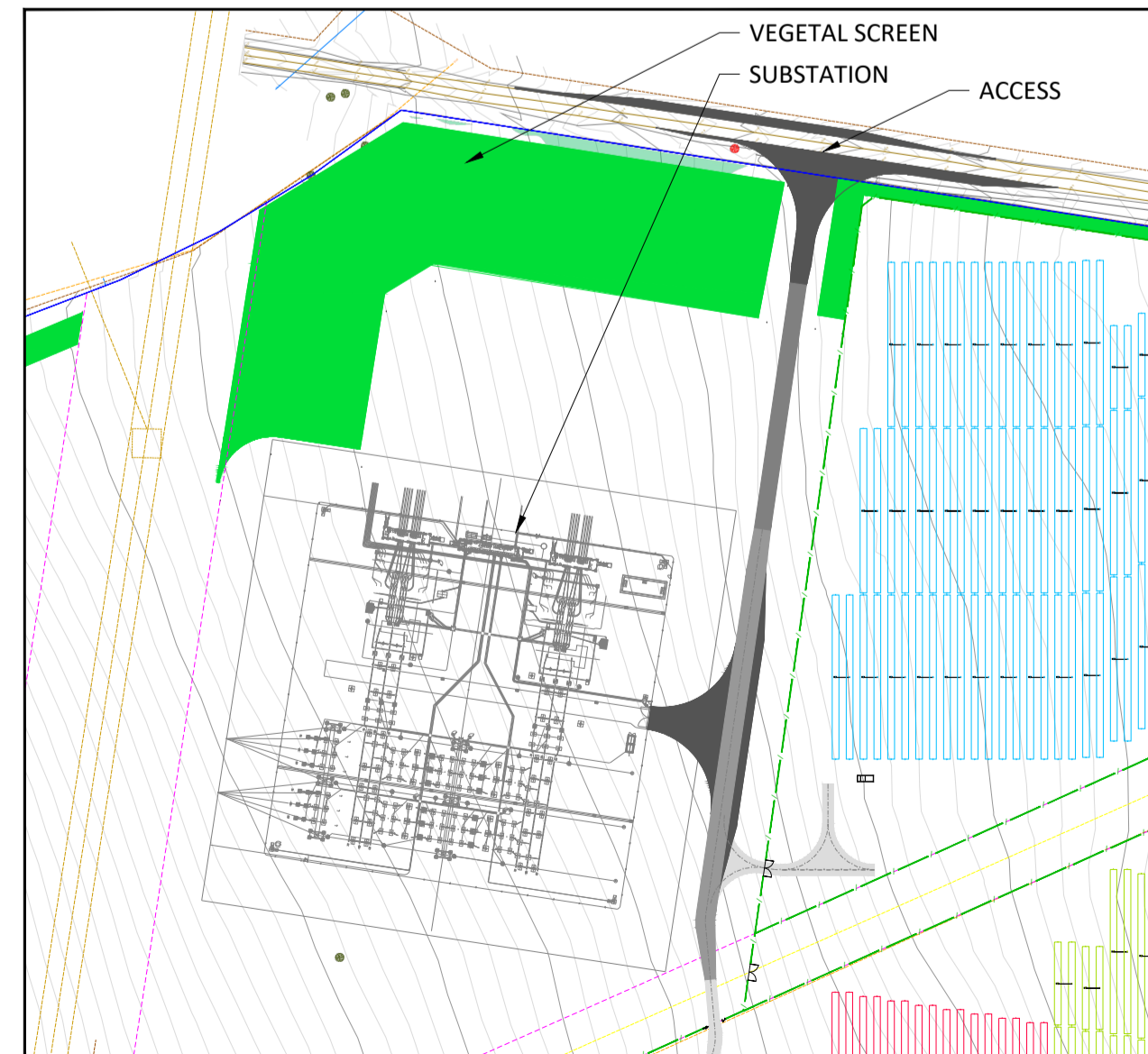
AREA	
Total Fence Area:	490.28 ha
Total Fence Perimeter:	14,955 m



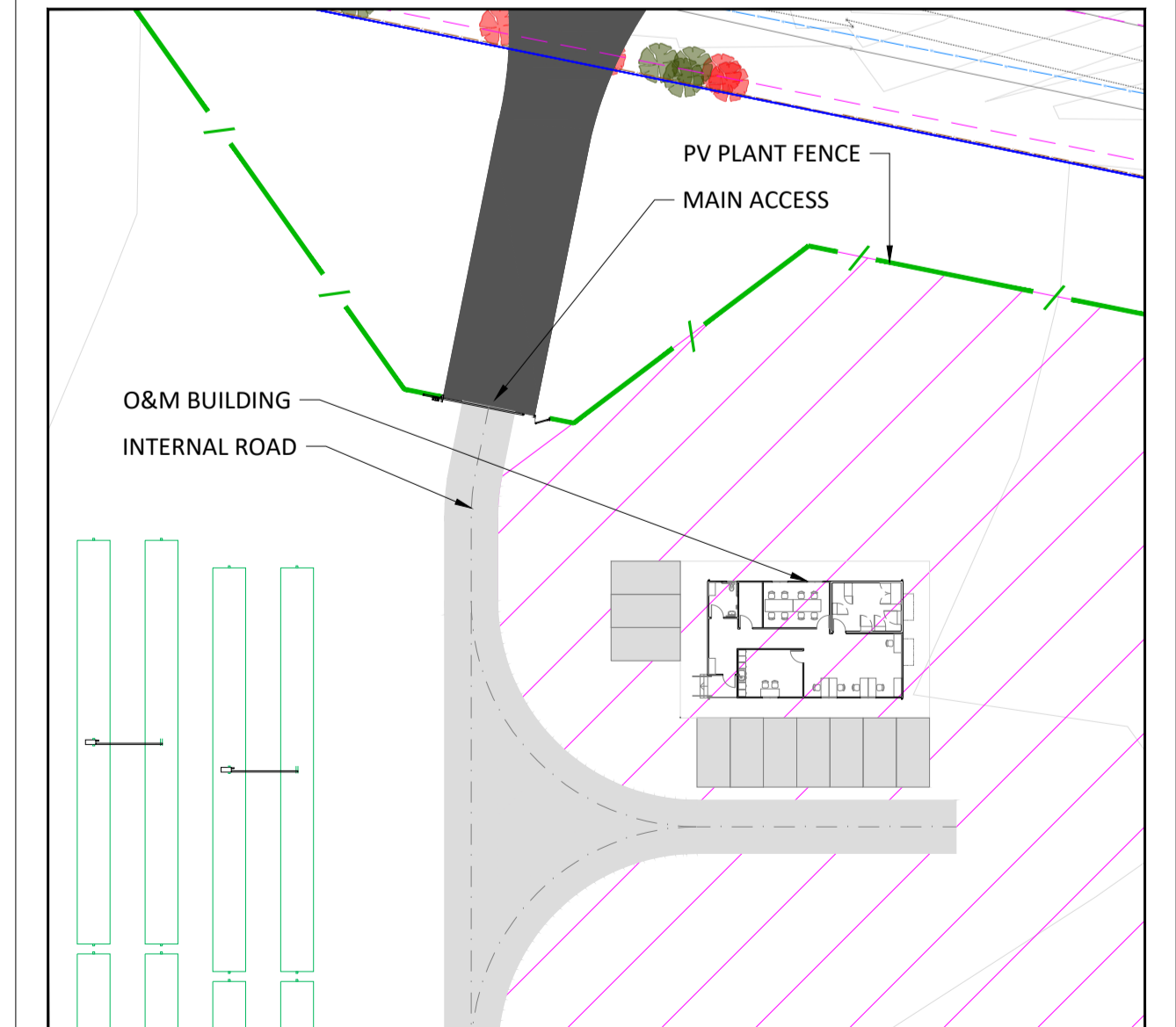
C TRACKER AXONE DUO DETAIL
Scale 1/100



B LOCATION
Scale 1/40,000



D SUBSTATION
Scale 1/2,500



E O&M BUILDING & LAYDOWN AREA
Scale 1/500

- NOTES:
- MEASURES IN METERS, UNLESS OTHERWISE SPECIFIED.
- REFERENCE DRAWINGS / DOCUMENTS LIST:
- WAL-ISE-GE-DRAW-0004 TOPOGRAPHIC MAP.
 - WAL-ISE-GE-DRAW-0005 LAYOUT PER BLOCK.
 - WAL-ISE-GE-DRAW-0006 RESTRICTIONS.
 - WAL-ISE-SLD-0001 SINGLE LINE DIAGRAM (MW).
 - WAL-ISE-SLD-0002 DC WIRING DIAGRAM (SLD).

Proprietary and Confidential ISE, SLU		All rights reserved	
ISSUED FOR	<input type="checkbox"/> INFORMATION ONLY	C2	LAYOUT UPDATED
	<input type="checkbox"/> APPROVAL	C1	ISSUED FOR CONSTRUCTION
	<input type="checkbox"/> QUOTATION PURCHASING	REV:	DESCRIPTION
	<input type="checkbox"/> CONSTRUCTION		DATE
	<input type="checkbox"/> AS BUILT		BY
			APPR.
ENGINEERING:	EPIC CONTRACTOR:		CLNT
ISE	GRS	PROJECT:	
		WALLA WALLA SOLAR FARM	
CLIENT:	FRV	SHEET TITLE	
		GENERAL LAYOUT	
		REFERENCE:	PAPER SIZE:
		P22-0010-ING	A1: 840 x 594 mm.
		DRAWING NO:	
		WAL-ISE-GE-DRAW-0003_C2	